

Using the “Color One-Line Toolbar” in PTW32



Toggle the display of data state colors for components

This button will apply a user-defined color on each component in the One-Line drawing based on the “Data State” selected for each component. These colors can be changed in the One-Line global options.

The drawing shows a vertical bus with various components. The bus is labeled 'Data State Complete' at the top and 'Data State Incomplete' at the bottom. Components are colored according to their data state: black (Complete), green (Verified), orange (Estimated), and red (Incomplete).

The 'Options' dialog box is shown with the 'One-Line Colors Used By Current Project' section. The 'Data State Colors' sub-section is circled in red, showing color swatches for Complete (black), Verified (green), Estimated (orange), and Incomplete (red).

User can choose from the following “Data State” types:

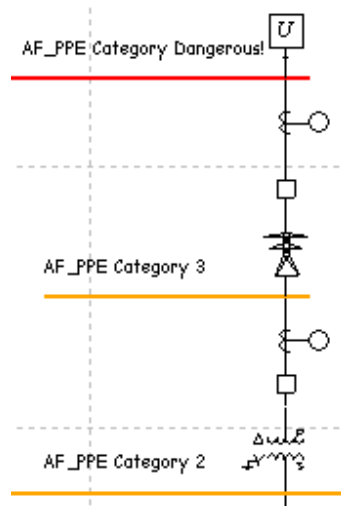
- Complete
- Verified
- Estimated
- Incomplete

Note: “Data State” attributes will not affect the study results of any projects.



Toggle the display of the arc flash category color for the buses and protective devices

This button will apply the “Category Background Color” column in Arc Flash’s PPE Table to the One-Line, based on the PPE Category assigned to each bus by the Arc Flash evaluation report.



Personnel Protection Equipment Table											
	Incident Energy From (cal/cm2)	Incident Energy To (cal/cm2)	IE Low Marginal (cal/cm ²)	IE High Marginal (cal/cm ²)	Hazard Risk Category	Clothing Description	Clothing Layers	Required Minimum Arc Rating of PPE (cal/cm2)	Notes	Category Background Color	Category Foreground Color
2	1.2	4.0	1.210	3.900	1	FR Shirt & Pants	1	4		Orange	Black
3	4.0	8.0	4.100	7.800	2	Cotton Underwear + FR Shirt & Pants	1 or 2	8		Orange	Black
4	8.0	25.0	8.200	24.000	3	Cotton Underwear + FR Shirt & Pant + FR Coverall	2 or 3	25		Orange	Black
5	25.0	40.0	26.000	38.000	4	Cotton Underwear + FR Shirt & Pant + Multi Layer Flash Suit	3 or more	40		Orange	Black
6	40.0	999.0	41.000	998.000	Dangerous!	No FR Category Found	Do not work on live!	N/A	Do not work on live!	Red	White

Technical Support Group

Originated by: Victor
Checked by: Johnny
Revised by: Johnny
Applicable to:

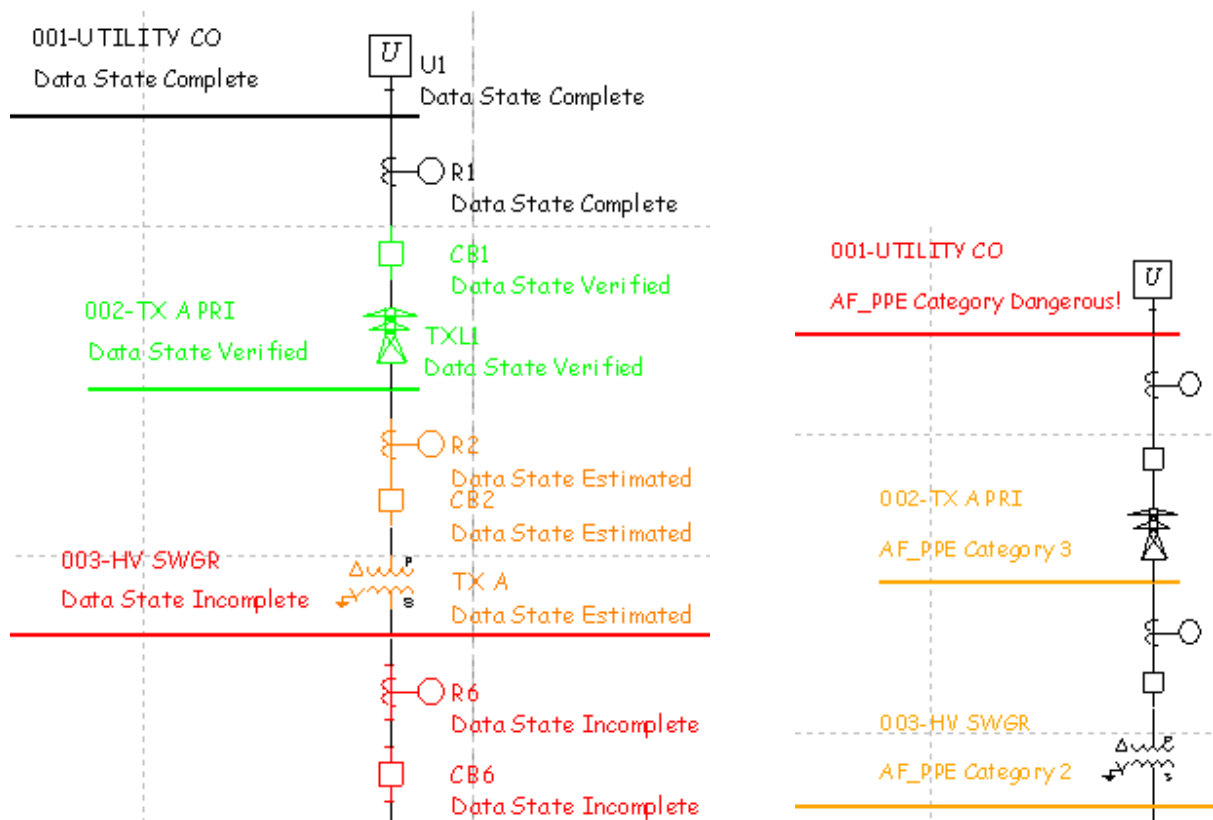
Date: 08-26-08
Date: 09-08-08
Date: 09-08-08
Doc Rev No:



P.O. Box 3376, Manhattan Beach, CA 90266 - Tel: 310.698.4700, Fax: 310.698.4708 - www.skm.com

T Toggle the display of the one-line nametag and datablock color

This button is complementary to the previous two. It will apply the color of each component to its corresponding nametag and datablock in the One-Line.



Technical Support Group

Originated by: Victor
Checked by: Johnny
Revised by: Johnny
Applicable to:

Date: 08-26-08
Date: 09-08-08
Date: 09-08-08
Doc Rev No:



P.O. Box 3376, Manhattan Beach, CA 90266 - Tel: 310.698.4700, Fax: 310.698.4708 - www.skm.com